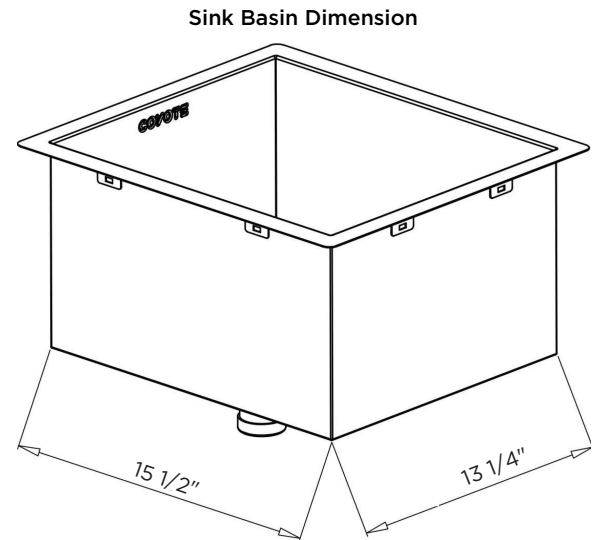
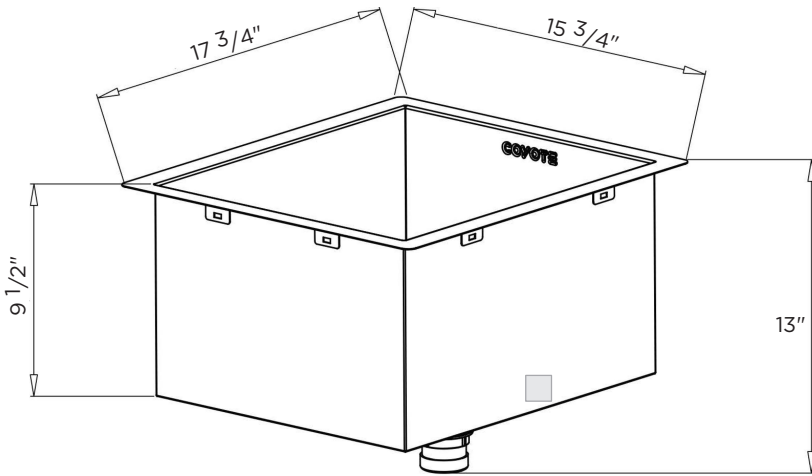
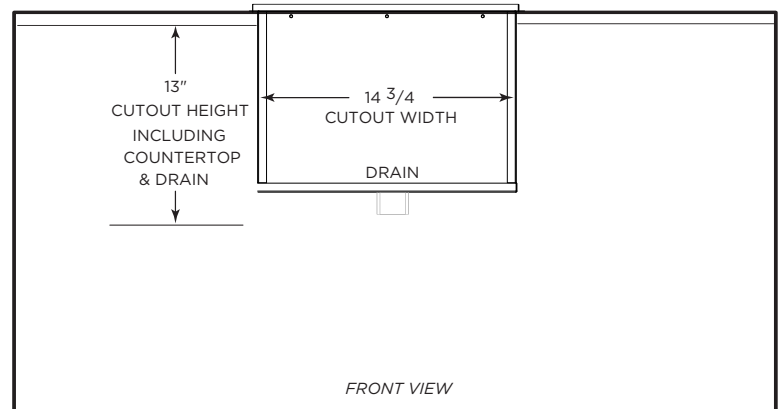
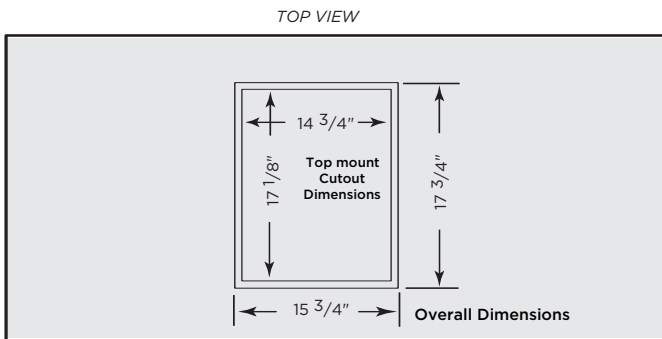


C1SINK1618 INSTALL GUIDE

DIMENSIONAL RENDERINGS



Top mount Cutout Dimensions



Overall Product Dimensions			
Model No.	Height	Width	Depth
C1SINK1618	13"	15 3/4"	17 3/4"

Cutout Dimensions for Island			
Model No.	Height	Width	Depth
C1SINK1618	13"	14 3/4"	17 1/8"

Install Notes:

- ✓ The C1SINK1618 is a universal mount sink
 - It can either rest (hang down) from the counter top, or it can be placed under the counter top
- ✓ A drain and strainer is included with the sink
- ✓ No faucet is included with the purchase of a C1SINK1618
- ✓ Use sink basin dimensions for under mount cutout.